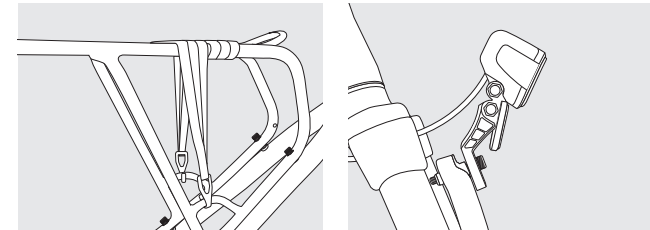
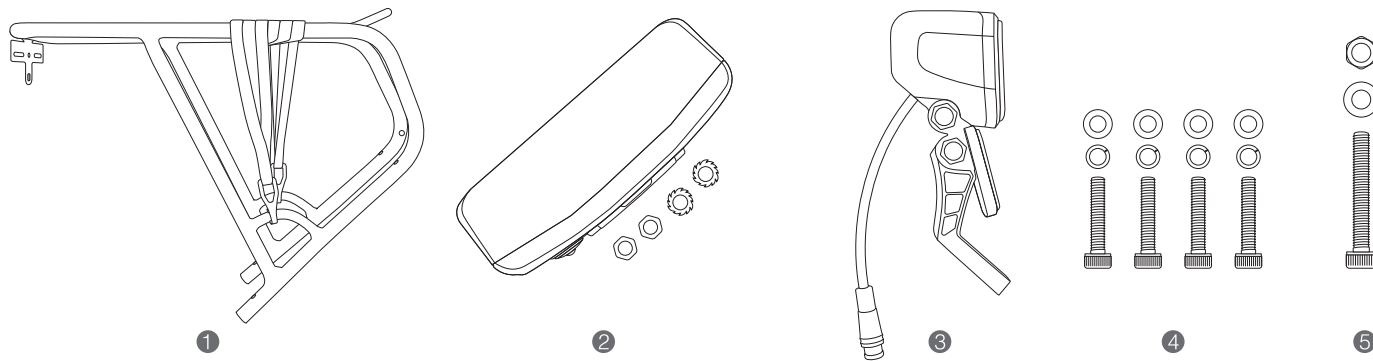


Rear Carrier+Lights Instruction Manual

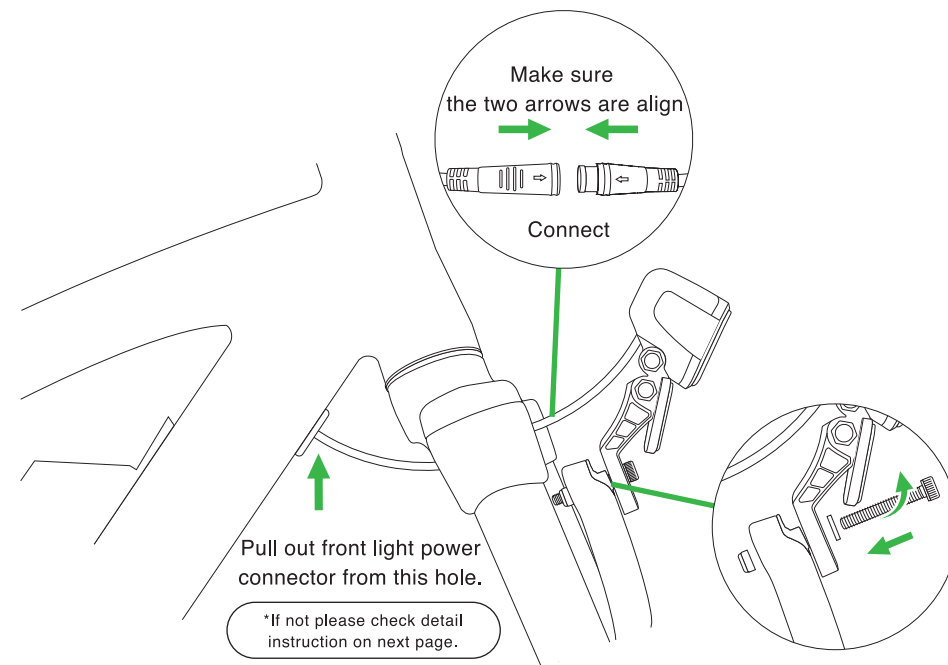
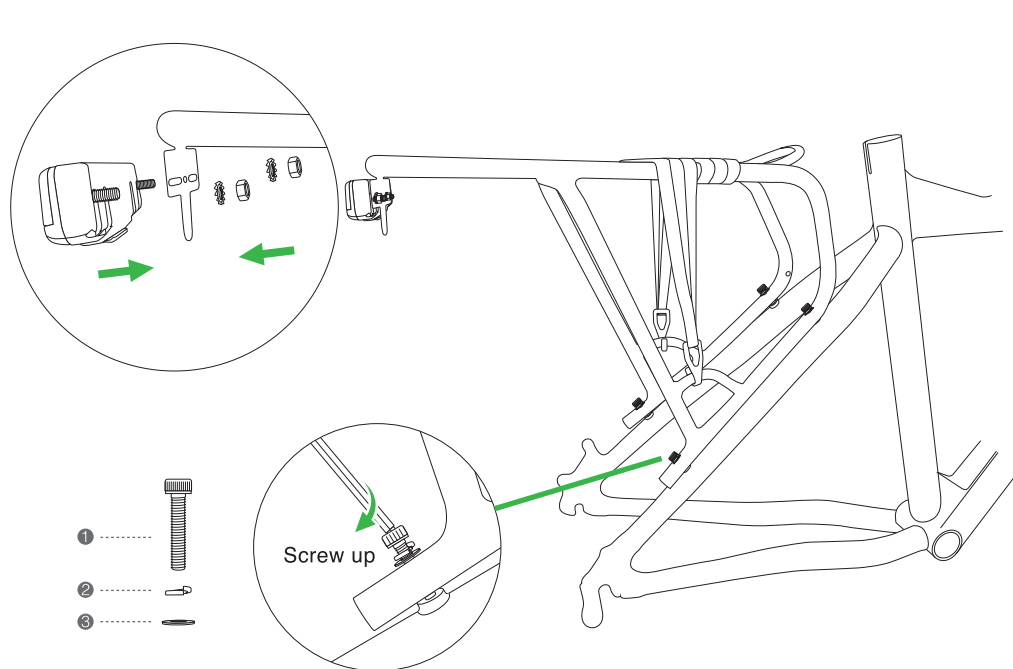
- only for Moscow series-



Please read before use!



| NO. | Name | Qty |
|-----|--------------------------------|-----|
| 1 | Rear Carrier with bandage | 1 |
| 2 | Rear Light | 1 |
| 3 | Front Light | 1 |
| 4 | Hexagon Screws for Carrier | 4 |
| 5 | Hexagon Screws for Front light | 1 |

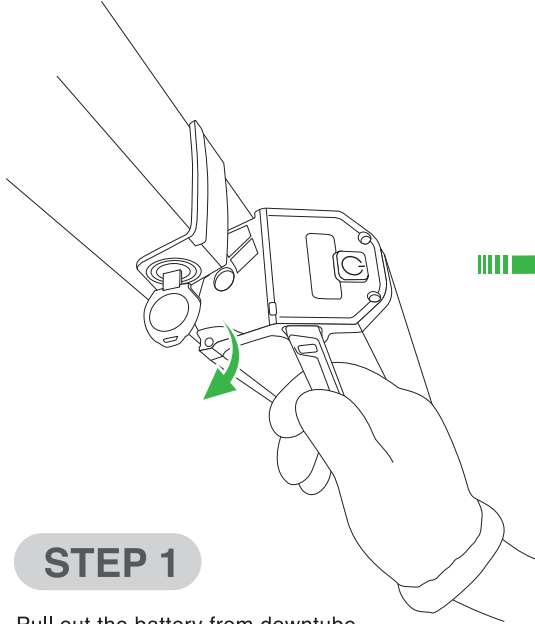


1. Install rear carrier, use hexagon screwdriver to fasten carrier on the frame set.

2. Install rear light, follow above image and tighten up rear light on carrier.

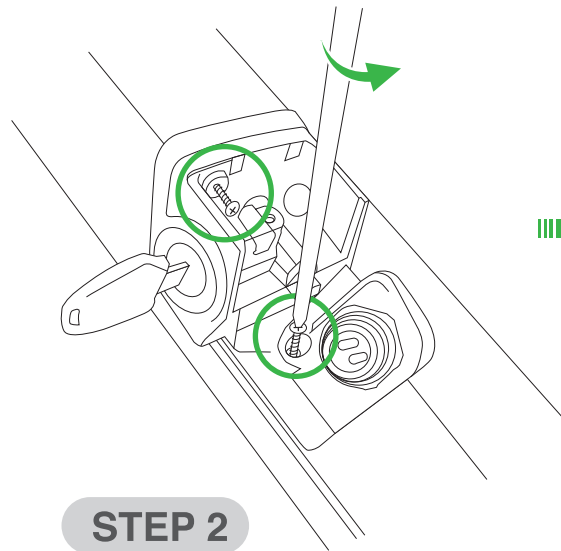
3. Install front light on front fork. Pull out front light power connector cable from hole on the bottom side of downtube, then connect cable and light together.

Instruction for front light cable



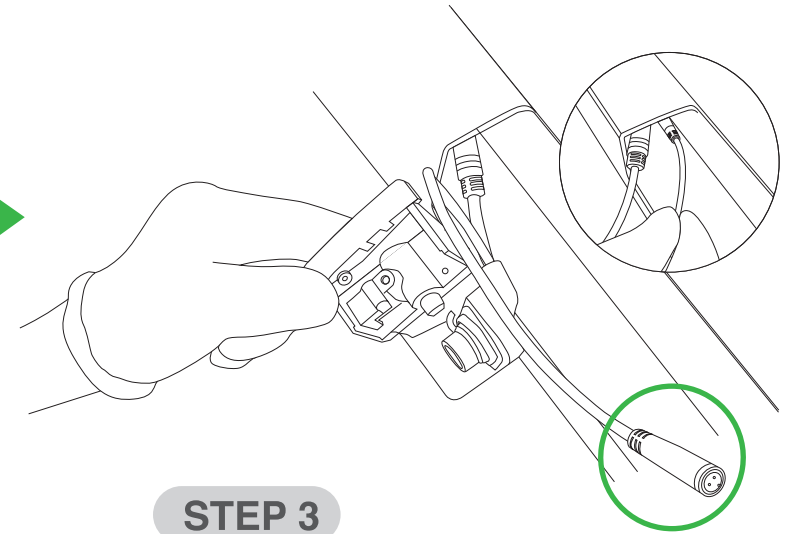
STEP 1

Pull out the battery from downtube.



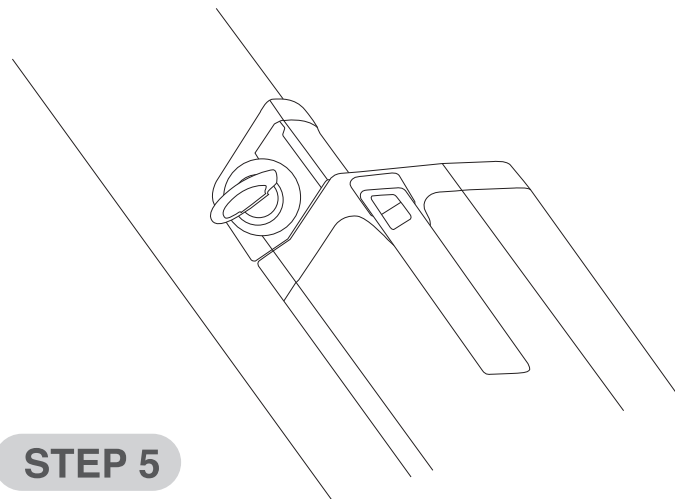
STEP 2

Follow the image and loosen the two screws on battery base.



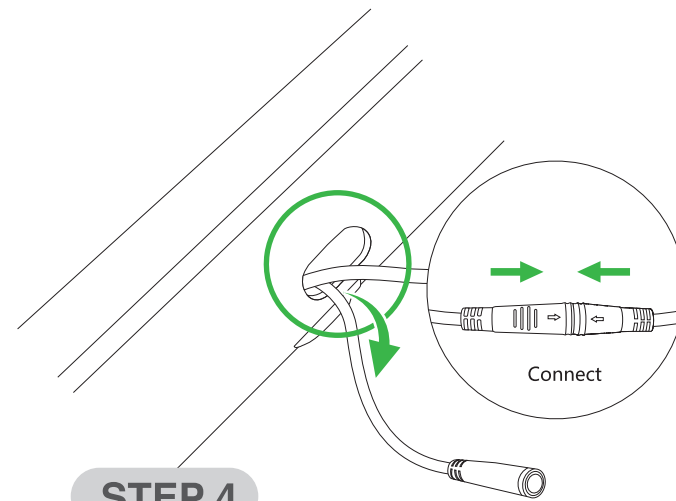
STEP 3

Take down battery base and found the light cable and put it out of the bottom hole.



STEP 5

Follow step 2 and assemble battery base and then battery.

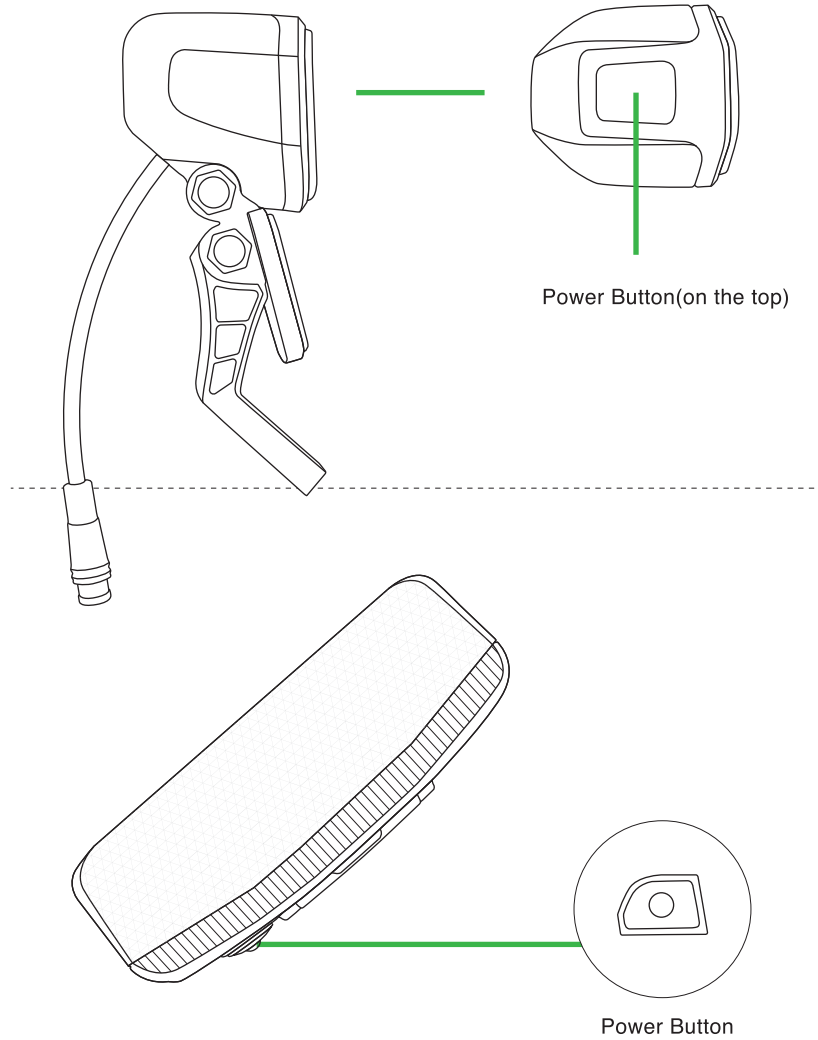


STEP 4

Connect the cable and light together.



Front/Rear light power button indication



⚠ WARNING

- please check national or local laws and regulations before installation, and always follow local traffic laws;
- please check the mechanical functionality of the kit and bike before and after installation;
- keep kit away from children and pets;

If you do not have the technical ability to correctly and safely install this kit, you should obtain the services of a professional bicycle shop or other qualified technician.